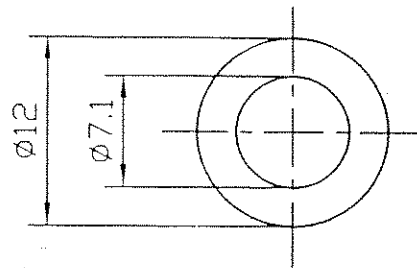
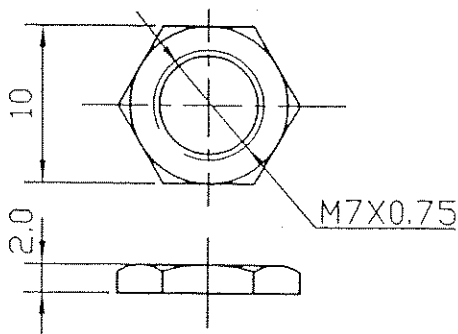


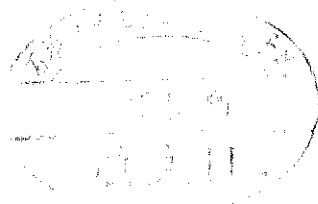
NUT 1 PC

WASHER 1 PC t=0.4



NOTE:

BUSHING MATERIAL IS ZINC ALLOY DIECASTING.



RV16AF-10B6-(L)K-XXX-(0C)

NO.		DATE		DESCRIPTION		MODEL NAME		
						RV16AF-10B6-(L)K-XXX-(0C)		
TOL. UNLESS OTHERWISE STATED		DIMENSION		SCALE		DRAWN BY		CHECKED BY
less than 10 ±0.3				2				
above 10 ~ 30 ±0.5				1				
above 30 ~ 100 ±1.0		mm						
above ±5°								
						APPROVED BY		DRAWING NO.