

RF-300EA



Precious metal-brush motors

OUTPUT : 0.02W~1.8W (APPROX)

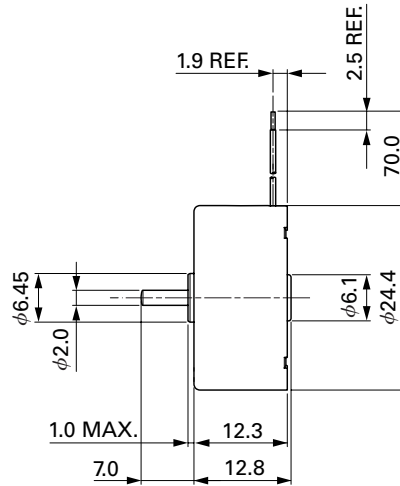
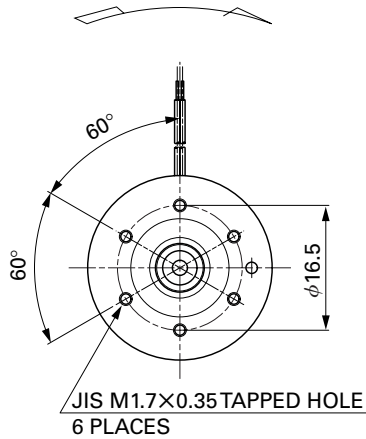
WEIGHT : 22g (APPROX)

Typical Applications Office Automation Equipment : CD/DVD-ROM Drive
 Audio and Visual Equipment : Car CD Player / DVD Player

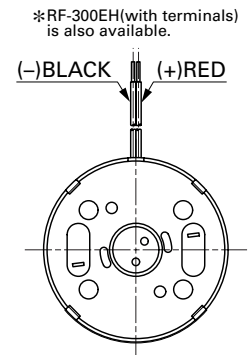
MODEL	VOLTAGE		NO LOAD		AT MAXIMUM EFFICIENCY				STALL			
	OPERATING RANGE	NOMINAL	SPEED r/min	CURRENT A	SPEED r/min	CURRENT A	TORQUE mN-m	TORQUE g-cm	OUTPUT W	TORQUE mN-m	TORQUE g-cm	CURRENT A
RF-300EA-1D390	2.8~7.0	3.9V CONSTANT	4400	0.021	3520	0.084	0.47	4.8	0.17	2.35	24	0.34
RF-300EA-8Z485	1.6~11.0	8V CONSTANT	7100	0.021	5760	0.090	0.62	6.3	0.37	3.28	33	0.39

Also available with terminals (without leadwires).

DIRECTION OF ROTATION



SHAFT LENGTH 19.0



Usable machine screw length 1.1 max. from motor mounting surface.

UNIT: MILLIMETERS

RF-300EA-1D390

3.9V

RF-300EA-8Z485

8.0V

