

RF-356CA



Precious metal-brush motors

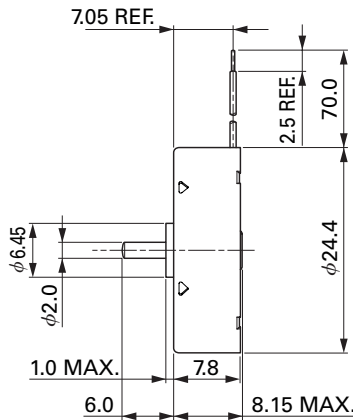
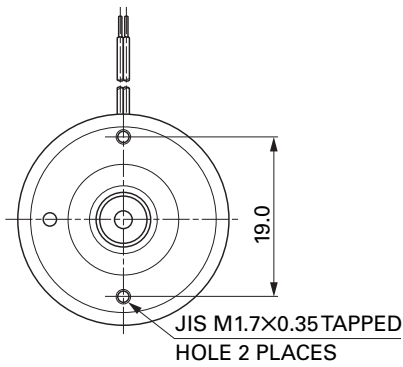
OUTPUT : 0.05W~0.3W (APPROX)

WEIGHT : 13g (APPROX)

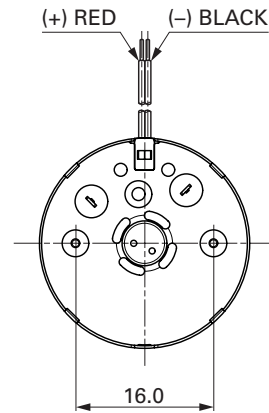
Typical Applications Audio and Visual Equipment : Portable CD Player / DVD Player

MODEL	VOLTAGE		NO LOAD		AT MAXIMUM EFFICIENCY					STALL		
	OPERATING RANGE	NOMINAL	SPEED	CURRENT	SPEED	CURRENT	TORQUE		OUTPUT	TORQUE		CURRENT
			r/min	A	r/min	A	mN-m	g-cm	W	mN-m	g-cm	A
RF-356CA-10250	1~6	2V CONSTANT	3200	0.020	2460	0.066	0.25	2.6	0.064	1.08	11	0.22

DIRECTION OF ROTATION



SHAFT LENGTH 13.4



Usable machine screw length 1.1 max. from motor mounting surface.

UNIT: MILLIMETERS

RF-356CA-10250

2.0V

