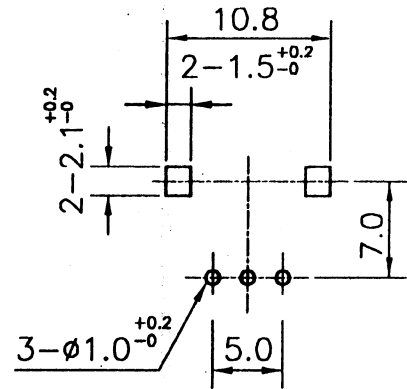
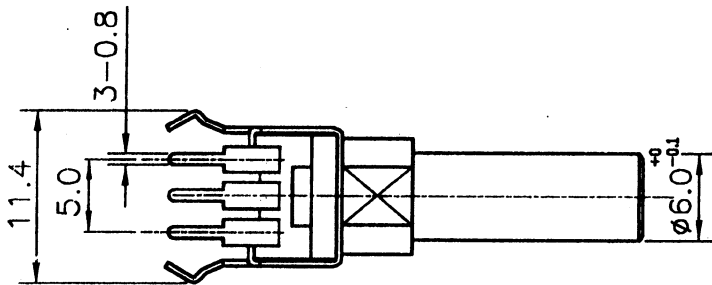
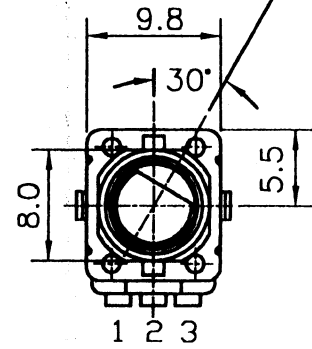
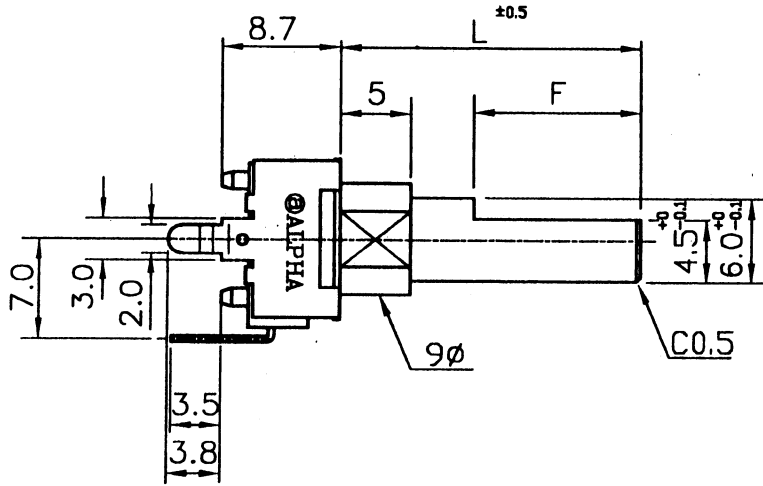


THIRD ANGLE PROJECTION

文管中心
2010.06.04
發行章

SHAFT SHOWN IN FULL C.C.W. POSITION

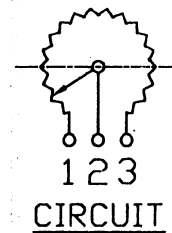


P.C.B. MOUNTING HOLE DETAIL

	L	F
	16.5	11.5
	17.5	12
✓	21.5	12
	22.5	12
	26.5	12

收文日
2010.09.09
石碇區工業區文管中心
電子工業

● 300° ROTATION
MONO UNIT



				-AC8			
				RV09BF-40E1N-(L)F-XXX-AC			
No.	DATE	DESCRIPTION	PART No.	NAME			
TOL. UNLESS OTHERWISE STATED		DIMENSION	SCALE	DRAWN BY	CHECKED BY	APPROVED BY	DRAWING No.
less than	10	±0.3	2:1	胡 2010.5.31 向輝		劉 2010.8.1 全紅	
above	10~30	±0.5					
above	30~100	±1.0					
above		±5'					