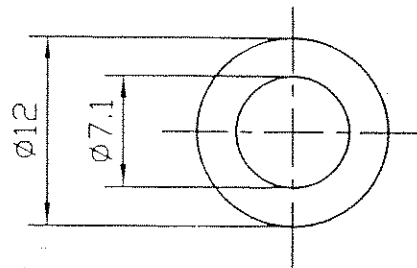
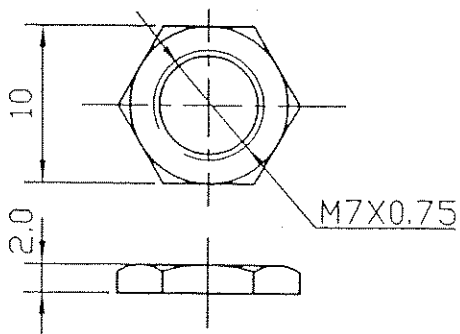


NUT 1 PC

WASHER 1 PC t=0.4





NOTE:

BUSHING MATERIAL IS ZINC ALLOY DIECASTING.

RV16AF-10B6-(L)K-XXX-(0C)



NO.		DATE		DESCRIPTION		MODEL NAME		
						RV16AF-10B6-(L)K-XXX-(0C)		
TOL. UNLESS OTHERWISE STATED		DIMENSION	SCALE	DRAWN BY	CHECKED BY	APPROVED BY	DRAWING NO.	
less than 10 ±0.3		mm	2					
above 10 ~ 30 ±0.5								
above 30 ~ 100 ±1.0			1					
above ±5°								