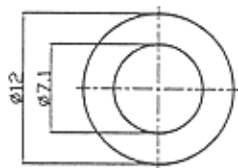
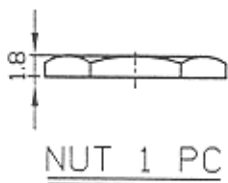
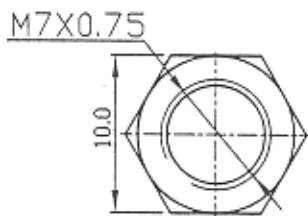
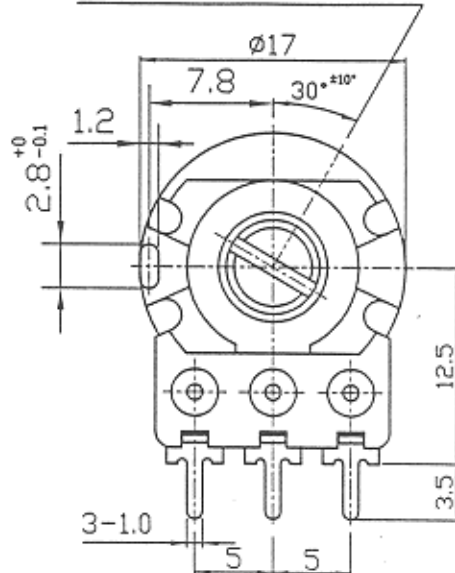
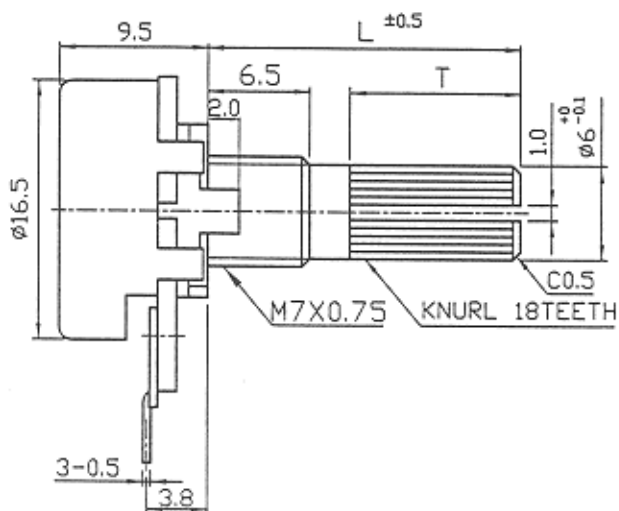
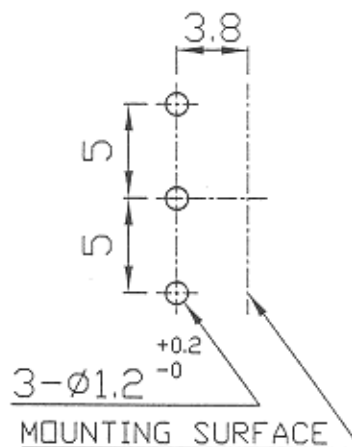


SHAFT SHAFT IN FULL C.C.W. POSITION



	L	T
	15	6.5
	17	8.5
	20	11.5
	25	16.5

MOUNTING HOLE DETAIL
(VIEWPOINT OF SHAFT)



WASHER 1 PC t=0.6

RV16AF-20-(L)K-XXX-3

NO.		DATE		DESCRIPTION		MODEL NAME		
TOL UNLESS OTHERWISE STATED	DIMENSION	SCALE	DRAWN BY	CHECKED BY	APPROVED BY	DRAWING NO.		
less than 10	±0.3	2	何 93.12.20 建志	王 93.12.20 茂松	吴 93.12.20 碧峰			
above 10 ~ 30	±0.5							
above 30 ~ 100	±1.0	1	何 93.12.20 建志	王 93.12.20 茂松	吴 93.12.20 碧峰			
above	±5'							