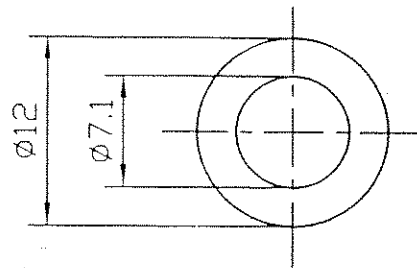
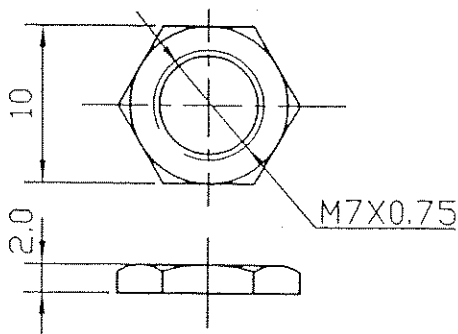


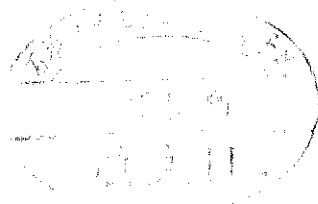
NUT 1 PC

WASHER 1 PC t=0.4



NOTE:

BUSHING MATERIAL IS ZINC ALLOY DIECASTING.



RV16AF-10B6-(L)K-XXX-(0C)

NO.		DATE		DESCRIPTION		MODEL NAME				
						RV16AF-10B6-(L)K-XXX-(0C)				
TOL. UNLESS OTHERWISE STATED		DIMENSION		SCALE		DRAWN BY		CHECKED BY	APPROVED BY	DRAWING NO.
less than 10		±0.3		2						
above 10 ~ 30		±0.5		1						
above 30 ~ 100		±1.0								
above		±5'								