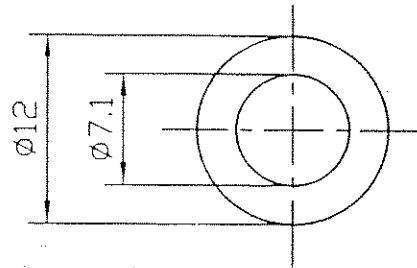
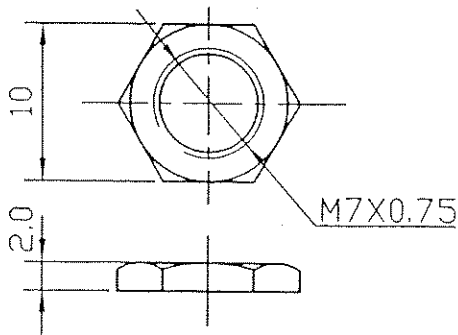


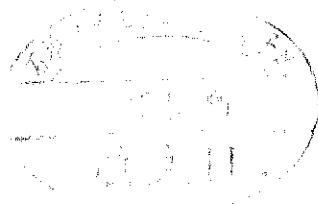
NUT 1 PC

WASHER 1 PC t=0.4



NOTE:

BUSHING MATERIAL IS ZINC ALLOY DIECASTING.



RV16AF-10B6-(L)K-XXX-(0C)

NO.		DATE		DESCRIPTION		MODEL NAME							
						RV16AF-10B6-(L)K-XXX-(0C)							
TOL. UNLESS OTHERWISE STATED		DIMENSION		SCALE		DRAWN BY		CHECKED BY		APPROVED BY		DRAWING NO.	
less than 10		±0.3		2									
above 10 ~ 30		±0.5		1									
above 30 ~ 100		±1.0											
above		±5'											

TAIWAN ALPHA ELECTRONIC CO., LTD.