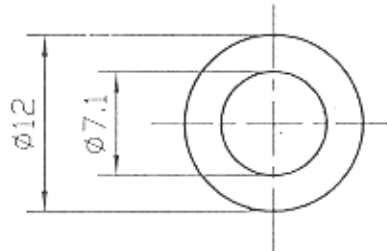
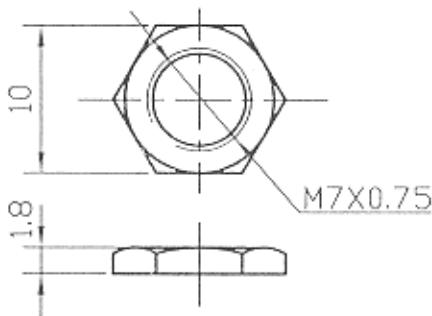


NUT 1 PC

WASHER 1 PC t=0.4



参考用

NOTE:
BUSHING MATERIAL IS ZINC ALLOY DIECASTING.

| | | | | | | | |
|------------------------------|------|----------------|------------|------------|------------|----------------|-------------|
| | | | | | | | |
| | | | | | | -(3XXX) | |
| 1. 2003.9 | | Dpsyram redraw | | 王茂松 | | RV16A-10- K -3 | |
| NO. | DATE | DESCRIPTION | | MODEL NAME | | | |
| TOL. UNLESS OTHERWISE STATED | | DIMENSION | SCALE | DRAWN BY | CHECKED BY | APPROVED BY | DRAWING NO. |
| less than 10 | | ±0.3 | 2 1 | | | | |
| above 10 ~ 30 | | ±0.5 | | | | | |
| above 30 ~ 100 | | ±1.0 | | | | | |
| above | | ±0.7 | | | | | |
| | | mm | | | | | |