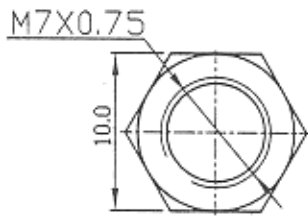
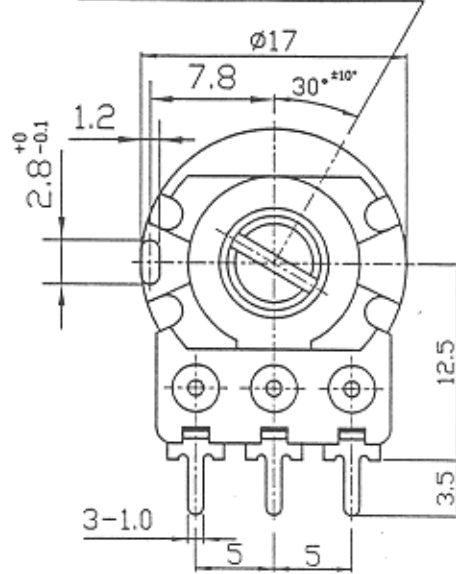
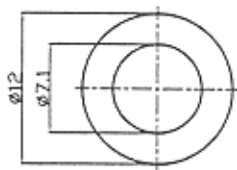


SHAFT SHAFT IN FULL C.C.W. POSITION

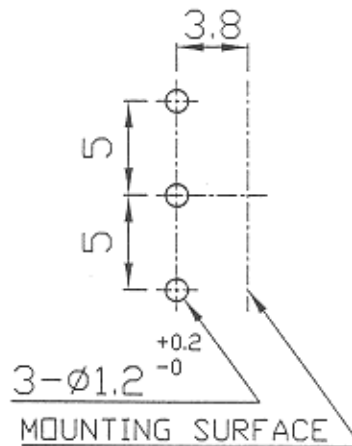


NUT 1 PC



WASHER 1 PC t=0.6

MOUNTING HOLE DETAIL (VIEWPOINT OF SHAFT)



	L	T
	15	6.5
	17	8.5
	20	11.5
	25	16.5

RV16AF-20-(L)K-XXX-3

NO.	DATE	DESCRIPTION	MODEL NAME			
TOL UNLESS OTHERWISE STATED	DIMENSION	SCALE	DRAWN BY	CHECKED BY	APPROVED BY	DRAWING NO.
less than 10 ±0.3	mm	2	何 93.12.20 建志	王 93.12.20 茂松	吴 93.12.20 碧峰	
above 10 ~ 30 ±0.5						
above 30 ~ 100 ±1.0		1				
above ±5°						