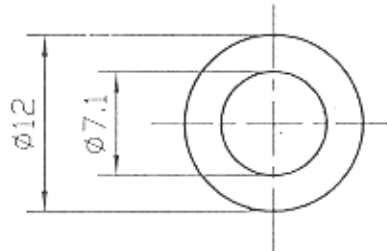
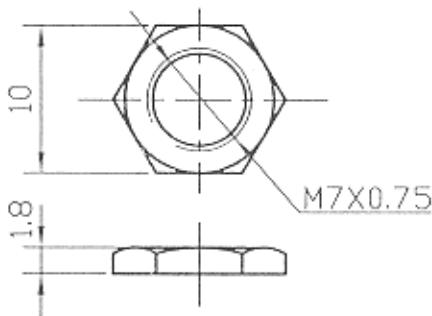


NUT 1 PC

WASHER 1 PC t=0.4



参考用

NOTE:

BUSHING MATERIAL IS ZINC ALLOY DIECASTING.

						-(3XXX)
1.	2003.9	Dpsyram redraw	王茂松			RV16A-10-K -3
NO.	DATE	DESCRIPTION	MODEL NAME			
TOL. UNLESS OTHERWISE STATED	DIMENSION	SCALE	DRAWN BY	CHECKED BY	APPROVED BY	DRAWING NO.
less than 10 ±0.3	mm	2				
above 10 ~ 30 ±0.5						
above 30 ~ 100 ±1.0						
above ±0.7						