

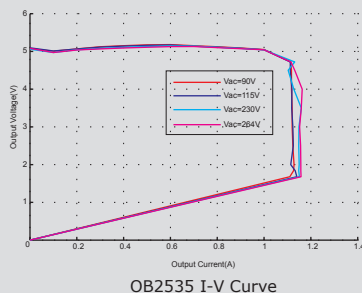
High Precision CC/CV Primary-side Offline PWM Power Switch

Description:

OB2535/OB2536/OB2538 series is a high performance offline PWM Power switch for low power AC/DC charger and adapter applications. It can achieve $\pm 5\%$ precision constant voltage (CV) and high precision constant current (CC). It operates in primary-side sensing and regulation. Consequently, opto-coupler and TL431 could be eliminated.

Applications:

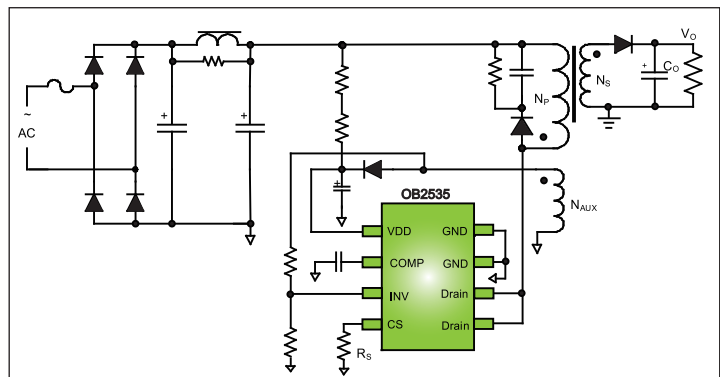
- CC/CV Battery Charger
 - Cell/Cordless Phone Charger
 - Digital Camera Charger
 - PDA Charger
- Small Power Adapter
- Auxiliary Power for PC, TV etc.
- Linear Regulator/RCC Replacement



Features:

- $\pm 5\%$ constant voltage regulation at universal AC input
- Primary-side sensing and regulation without TL431 and opto-coupler
- Programmable CV and CC regulation
- Adjustable constant current and output power setting
- Built-in primary winding inductance compensation
- Programmable cable drop compensation
- Power on soft-start
- Built-in leading edge blanking (LEB)
- Cycle-by-Cycle current limiting
- VDD under voltage lockout with hysteresis (UVLO)
- VDD OVP
- VDD clamp
- Available in SOP8 packages, RoHS compliant

Typical Application:



Device	MOSFET R _{dson} (ohm)	Package	Max P _{out} (W) ^{note}	Max P _{out} (W) (85~264V)
OB2535	12	SOP8	10	5
OB2536	10	DIP8	16	9
OB2538	4.4	DIP8	20	12

Note: Maximum practical continuous power in an open frame design with sufficient drain pattern as a heat sink, at 50°C ambient, 230Vac input.