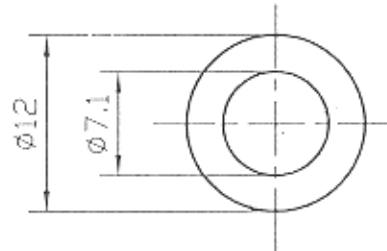
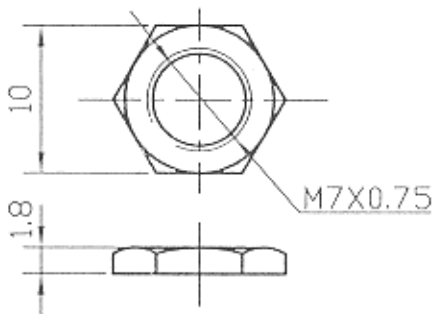


NUT 1 PC

WASHER 1 PC t=0.4



参考用

NOTE:  
BUSHING MATERIAL IS ZINC ALLOY DIECASTING.

						-(3XXX)	
1. 2003.9		Dpsyram redraw		王茂松		RV16A-10- K -3	
NO.	DATE	DESCRIPTION		MODEL NAME			
TOL. UNLESS OTHERWISE STATED		DIMENSION	SCALE	DRAWN BY	CHECKED BY	APPROVED BY	DRAWING NO.
less than 10		±0.3	2  1				
above 10 ~ 30		±0.5					
above 30 ~ 100		±1.0					
above		±0.7					
		mm					