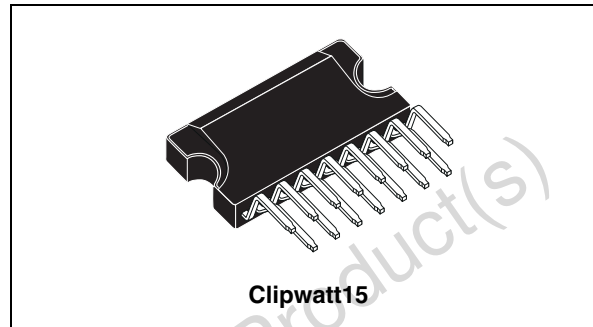


4 x 10-watt dual/quad power amplifier

Features

- High output-power capability:
 - 4 x 9 W / 2 Ω at 12 V, 1 kHz, 10%
 - 4 x 10 W / 4 Ω at 17 V, 1 kHz, 10%
 - 2 x 26 W / 4 Ω at 14.4 V, 1 kHz, 10%
 - 2 x 15 W / 8 Ω at 16 V, 1 kHz, 10%
- Minimum external component count:
 - No bootstrap capacitors
 - No Boucherot cells
 - Internally fixed gain of 20 dB
- Standby function (CMOS compatible)
- No audible pop during standby operations
- Diagnostic facilities:
 - Clip detector
 - Out to GND short circuit
 - Out to VS short circuit
 - Soft short at turn-on
 - Thermal shutdown proximity
- Protection for
 - Output AC/DC short circuit
 - Soft short circuit at turn-on



- Thermal cut-off limiter to prevent chip from overheating
- High inductive loads
- ESD

Description

The STA540SAN contains four single-ended, class-AB audio amplifiers assembled in a Clipwatt15 package.

These amplifiers are used for high-quality sound applications. Each amplifier has integrated short-circuit and thermal protection and diagnostic functions. Two amplifiers can be paired up for applications requiring high power output.

Table 1. Device summary

Order code	Temperature range	Package	Packaging
STA540SAN	-40 to 150 °C	Clipwatt15	Tube

Contents

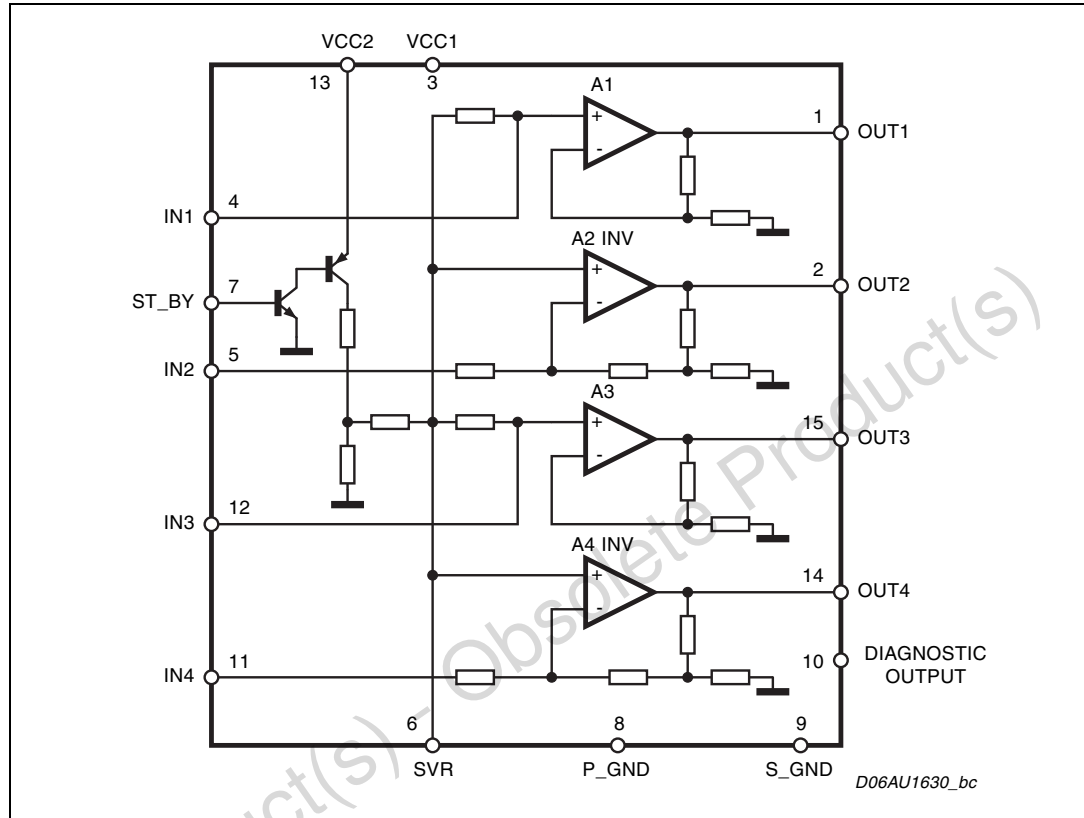
1	Block diagram	4
2	Pin description	5
3	Electrical specifications	6
3.1	Absolute maximum ratings	6
3.2	Thermal data	6
3.3	Electrical characteristics	6
4	Test and applications board	8
5	Standard applications circuits	11
6	Electrical characteristics curves	13
7	Thermal information	16
8	General structure	18
8.1	High application flexibility	18
8.2	Easy single-ended to bridge transition	18
8.3	Internally fixed gain	18
8.4	Silent turn on/off and muting/standby functions	18
8.5	Standby driving (pin 7)	18
8.6	Output stage	19
8.6.1	Rail-to-rail output voltage swing with no need of bootstrap capacitors ..	19
8.6.2	Absolute stability without any external compensation	19
8.7	Short-circuit protection	20
8.7.1	Diagnostic facilities (pin 10)	20
8.7.2	Thermal shutdown	21
8.8	Handling of the diagnostic information	22
8.9	PCB-layout grounding (general rules)	23
8.10	Mute function	23
9	Package mechanical data	24

10	Revision history	25
----	------------------------	----

Obsolete Product(s) - Obsolete Product(s)

1 Block diagram

Figure 1. Block diagram



2 Pin description

Figure 2. Pin connection (top view)

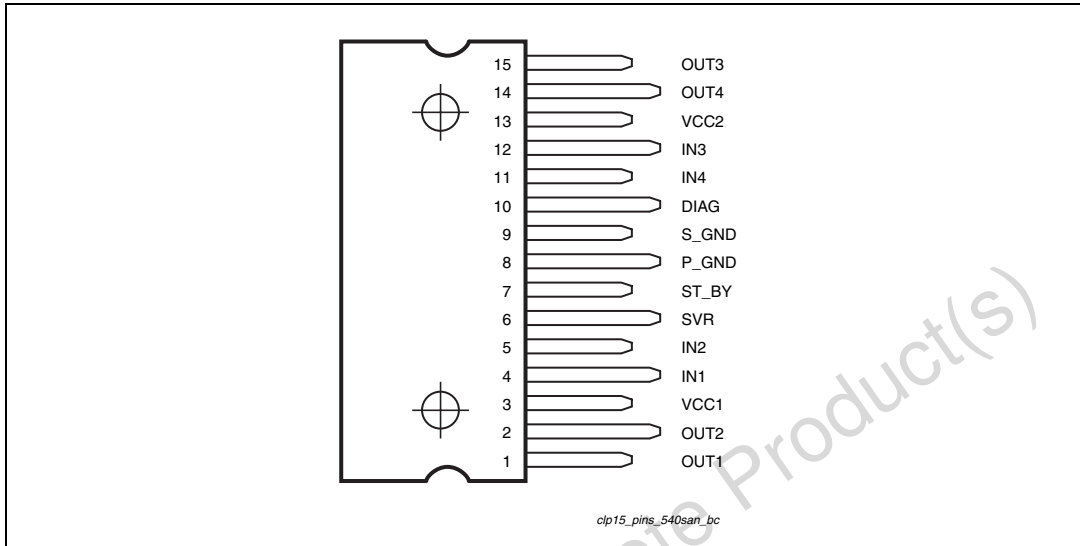


Table 2. Pin description

Pin	Name	Type	Function
1	OUT1	OUTPUT	Channel 1 output
2	OUT2	OUTPUT	Channel 2 output
3	VCC1	POWER	Power supply
4	IN1	INPUT	Channel 1 input
5	IN2	INPUT	Channel 2 input
6	SVR	INPUT	Supply voltage rejection
7	ST_BY	INPUT	Standby control pin
8	P_GND	POWER	Power ground
9	S_GND	POWER	Signal ground
10	DIAG	OUTPUT	Diagnostics
11	IN4	INPUT	Channel 4 input
12	IN3	INPUT	Channel 3 input
13	VCC2	POWER	Power supply
14	OUT4	OUTPUT	Channel 4 output
15	OUT3	OUTPUT	Channel 3 output

3 Electrical specifications

3.1 Absolute maximum ratings

Table 3. Absolute maximum ratings

Symbol	Parameter	Value	Unit
V_{Smax}	Supply voltage idle mode (no signal)	24	V
	Supply voltage operating	22	V
	Supply voltage AC-DC short safe	20	V
V_{ST_BYmax}	Voltage on pin ST_BY	V_{Smax}	
P_{tot}	Total power dissipation ($T_{case} = 70\text{ °C}$)	35	W
T_{stg}, T_j	Storage and junction temperature	-40 to 150	°C
T_{op}	Operating temperature	0 to 70	°C

3.2 Thermal data

Table 4. Thermal data

Symbol	Parameter	Min	Typ	Max	Unit
$R_{th\ j-case}$	Thermal resistance junction to case	-	-	2.5	°C/W
$R_{th\ j-amb}$	Thermal resistance junction to ambient	-	-	45	°C/W

3.3 Electrical characteristics

The results in Table 5 below were measured under the conditions $V_S = 15\text{ V}$, $R_L = 4\ \Omega$, $f = 1\text{ kHz}$ and $T_{amb} = 25\text{ °C}$ unless otherwise specified. Refer also to the test circuit in [Figure 3 on page 8](#)

Table 5. Electrical characteristics

Symbol	Parameter	Test condition	Min	Typ	Max	Unit
V_S	Supply voltage range	-	8	-	22	V
I_d	Total quiescent drain current	-	-	80	150	mA
V_{os}	Output offset voltage	-	-250	-	250	mV
P_o	Output power	THD = 10%	6.5	7.5	-	W
		THD = 10%, $V_S = 17\text{ V}$ S.E. $R_L = 4\ \Omega$	-	10	-	W
		THD = 10%, $V_S = 17\text{ V}$ BTL, $R_L = 8\ \Omega$	-	20	-	W
THD	Distortion	$R_L = 4\ \Omega$, $P_o = 0.1\text{ to }4\text{ W}$	-	0.02	-	%
I_{sc}	Short-circuit current	-	-	3.5	-	A

Table 5. Electrical characteristics (continued)

Symbol	Parameter	Test condition	Min	Typ	Max	Unit
C_T	Crosstalk	$f = 1 \text{ kHz}$ $f = 10 \text{ kHz}$	-	70 60	-	dB
R_{in}	Input impedance	-	20	30	-	$k\Omega$
G_v	Voltage gain	-	19	20	21	dB
G_v	Voltage gain match	-	-	-	0.5	dB
E_N	Total output noise	$R_g = 0$, "A" weighted Inverting channels: Non-inverting channels:	- -	50 20	- -	μV
SVR	Supply voltage rejection	$R_g = 0$, $f = 300 \text{ Hz}$, $C_{SVR} = 470 \mu F$	50	-	-	dB
A_{SB}	Standby attenuation	-	80	90	-	dB
I_{SB}	ST_BY current consumption	$V_{ST_BY} = 0 \text{ to } 1.5 \text{ V}$	-	-	100	μA
V_{SB}	ST_BY IN threshold voltage	-	-	-	1.5	V
V_{SB}	ST_BY OUT threshold voltage	-	3.5	-	-	V
I_{ST_BY}	ST_BY pin current	Play mode $V_{ST_BY} = 5 \text{ V}$	-	-	50	μA
		Driving current under fault	-	-	5	mA
$I_{cd \text{ off}}$	Clipping detector output average current	THD = 1% (1)	-	90	-	μA
$I_{cd \text{ on}}$	Clipping detector output average current	THD = 5% (1)	-	160	-	μA
V_{DIAG}	Voltage saturation on DIAG	Sink current on pin DIAG $I_{DIAG} = 1 \text{ mA}$	-	-	0.7	V
T_W	Thermal warning	-	-	140	-	$^{\circ}C$
T_M	Thermal muting	-	-	150	-	$^{\circ}C$
T_S	Thermal shutdown	-	-	160	-	$^{\circ}C$

1. Pin DIAG pulled-up to 5 V with 10 $k\Omega$

4 Test and applications board

This chapter includes information about the test and applications board including the test circuit, board layout, and parts list.

Figure 3. Test circuit

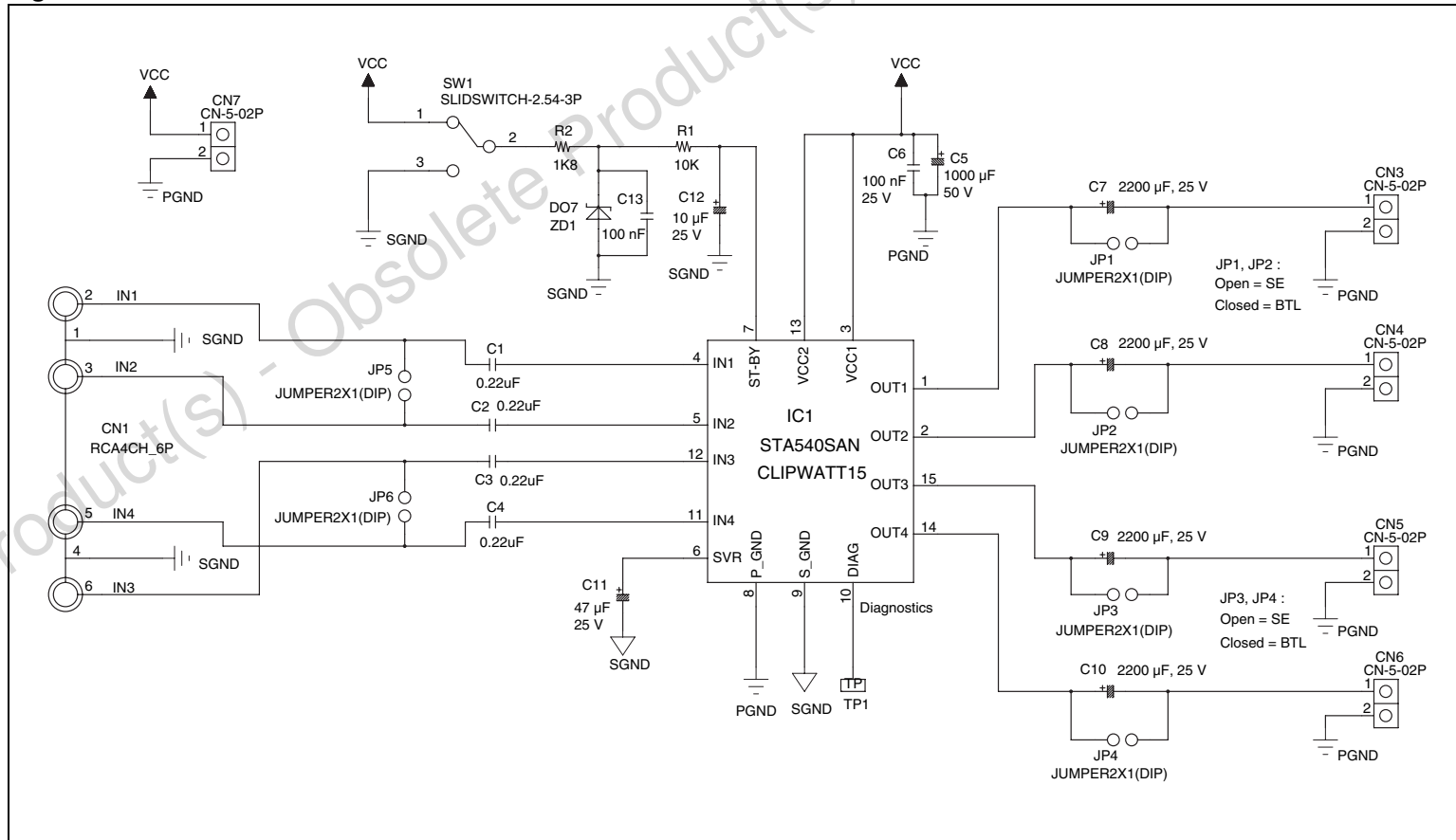


Figure 4. Component layout

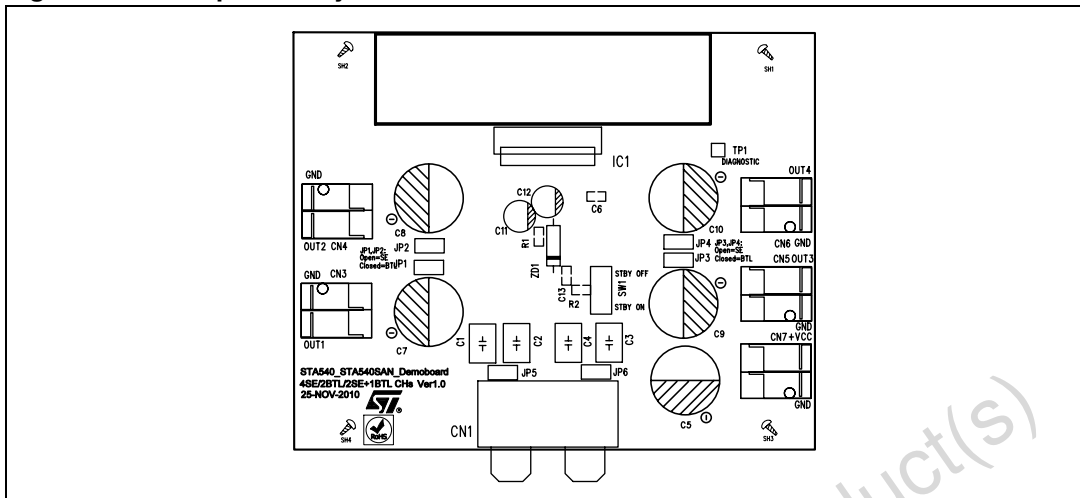


Figure 5. Component side

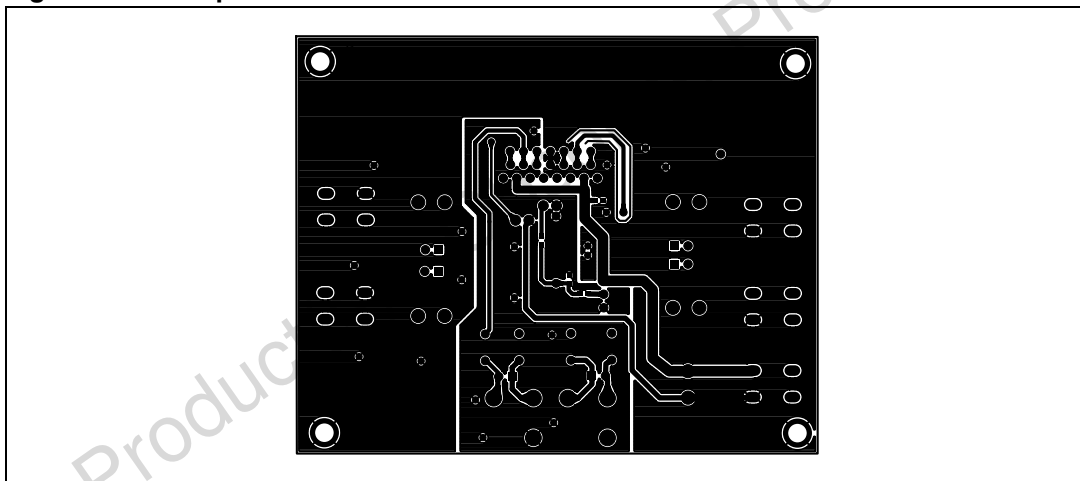


Figure 6. Solder side

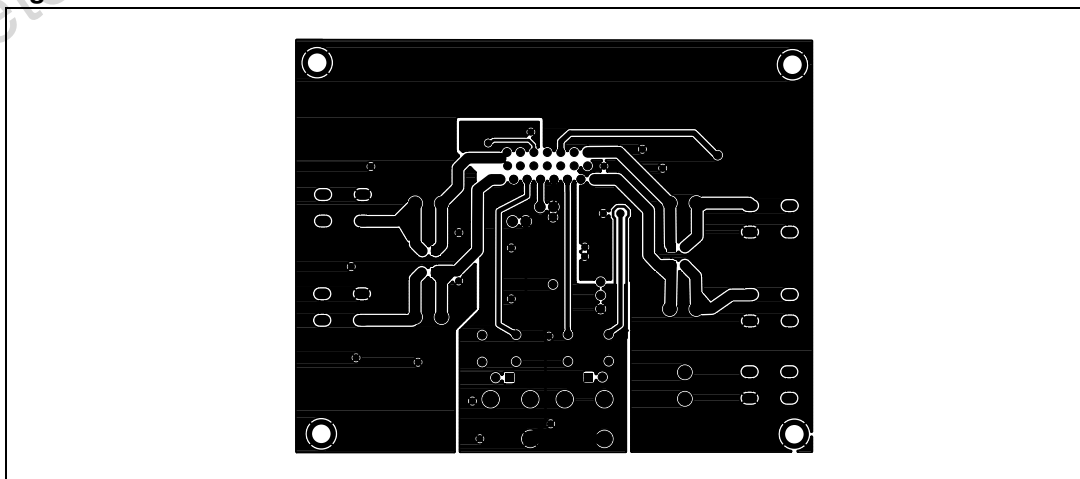


Table 6. List of components

Components	Suggested value	Purpose
R1	10 k Ω	Standby time constant
R2	1.8 k Ω	Ripple rejection
C1, C2, C3, C4	0.22 μ F	Input AC coupling
C5	0.1 μ F	Voltage supply decoupling
C6	1000 μ F	Voltage supply decoupling
C7, C8, C9, C10	2200 μ F	Output AC coupling
C11	47 μ F	Ripple rejection
C12	10 μ F	Standby time constant
C13	100 nF	Ripple rejection
ZD1	10 μ F	Standby time constant

5 Standard applications circuits

Figure 7. Quad stereo

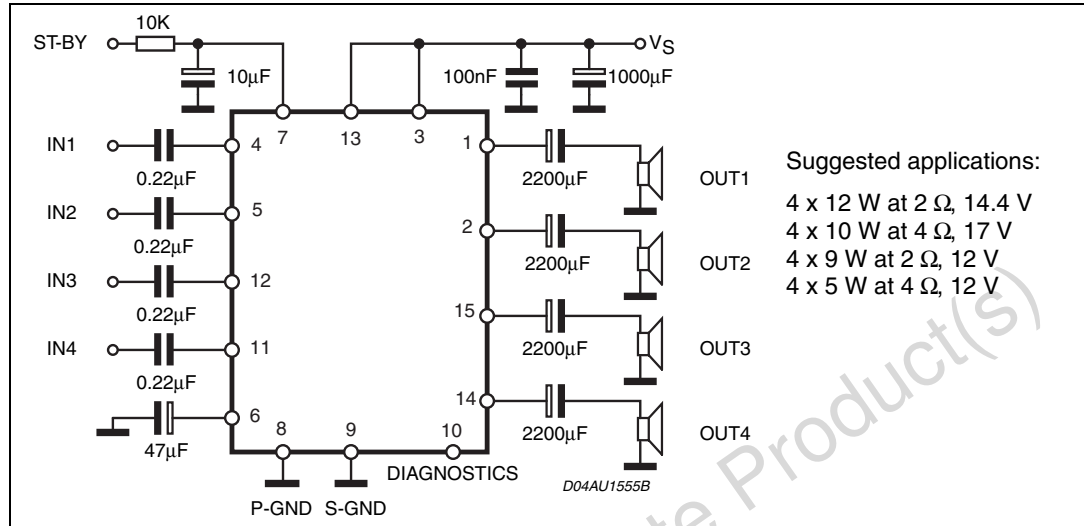
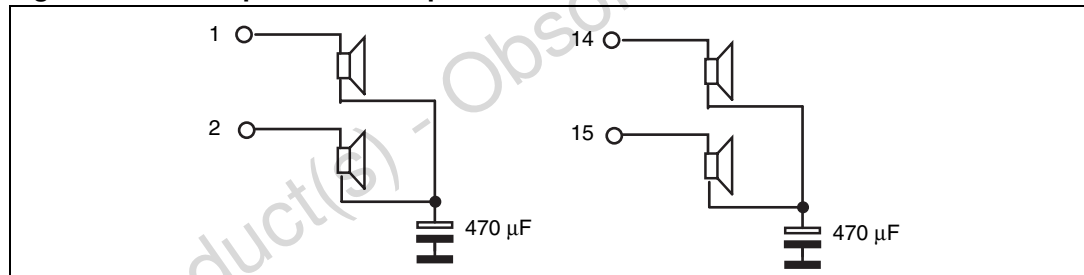
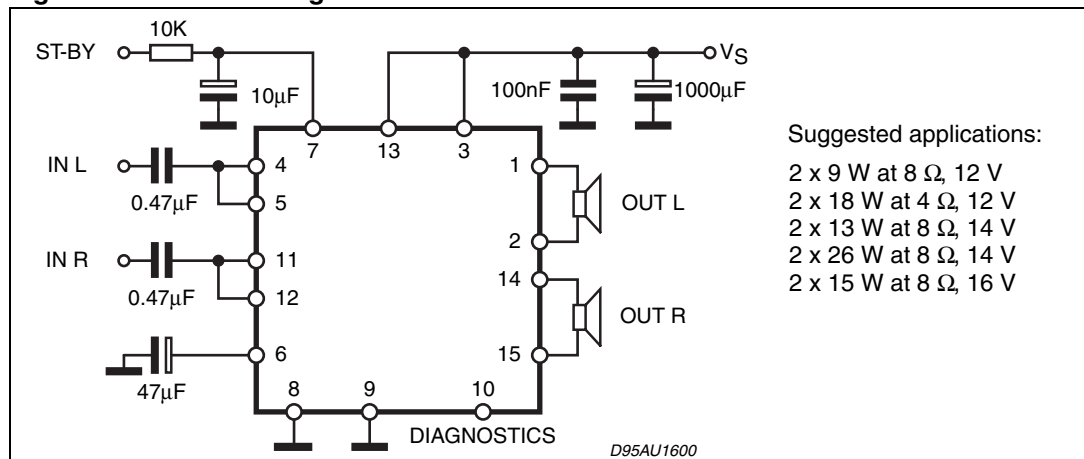


Figure 8. Audio performance option



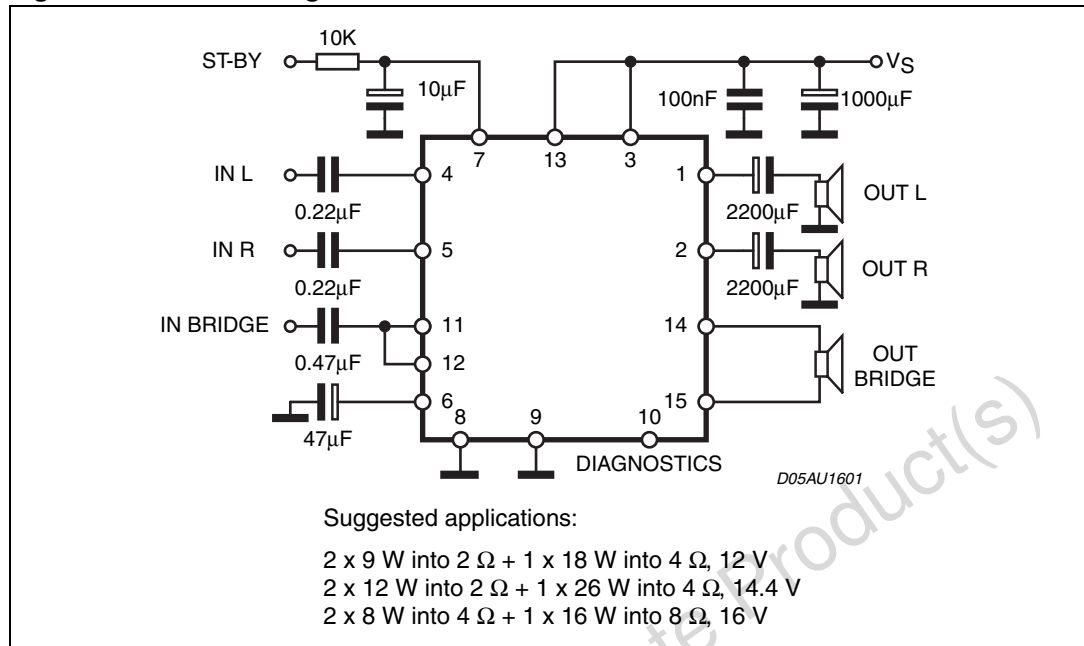
The best audio performance is obtained with the configuration where each speaker has its own DC blocking capacitor. If the application allows a little degradation of the spatial image it is possible to connect a couple of speakers with only one low-value DC blocking capacitor.

Figure 9. Double bridge



A dedicated evaluation board is available for this application (see [Chapter 4 on page 8](#)).

Figure 10. Stereo Bridge



A dedicated evaluation board is available for this application (see [Chapter 4 on page 8](#)).

6 Electrical characteristics curves

Figure 11. Quiescent drain current vs supply voltage (single-ended and bridge)

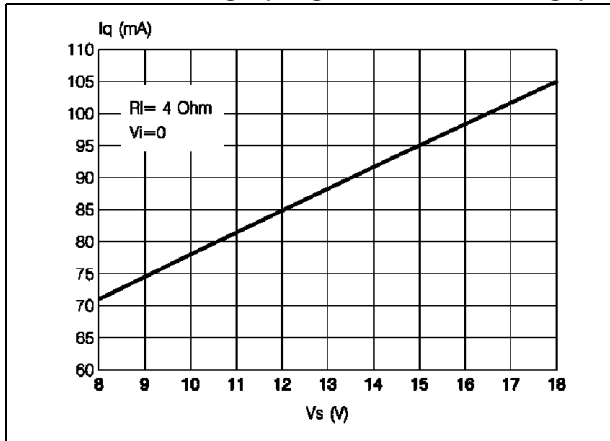


Figure 12. Quiescent output voltage vs supply voltage (single-ended and bridge)

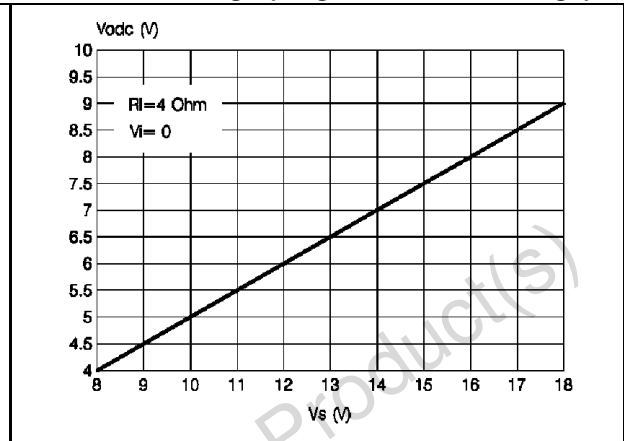


Figure 13. Output power vs supply voltage

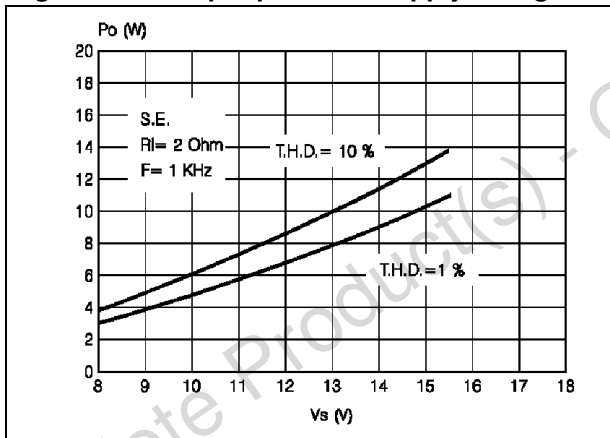


Figure 14. Distortion vs output power

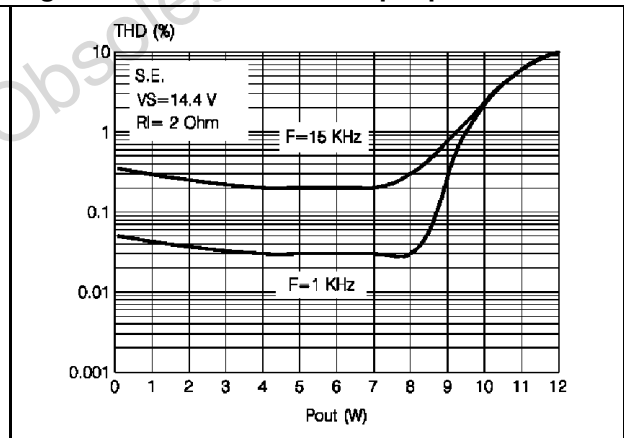


Figure 15. Output power vs supply voltage

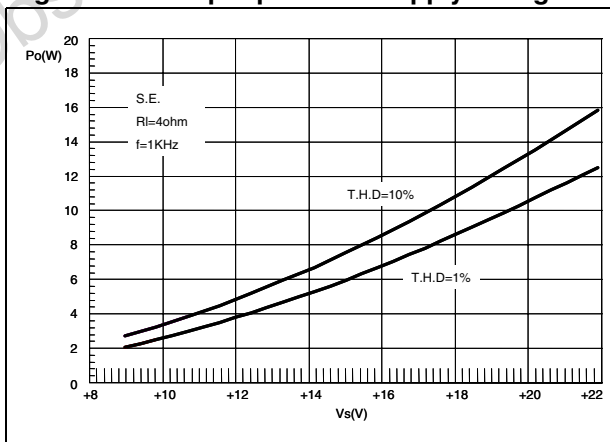


Figure 16. Distortion vs output power

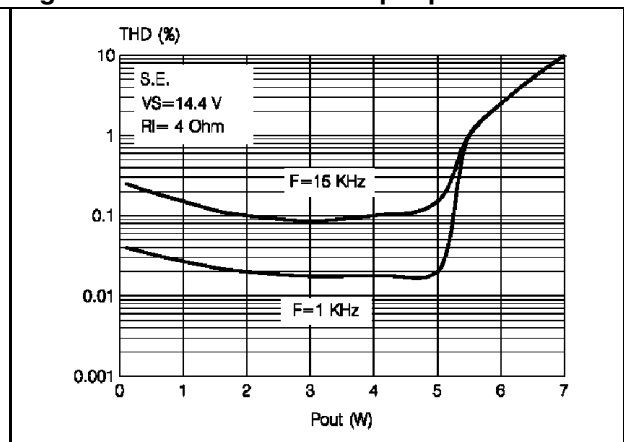


Figure 17. Output power vs supply voltage

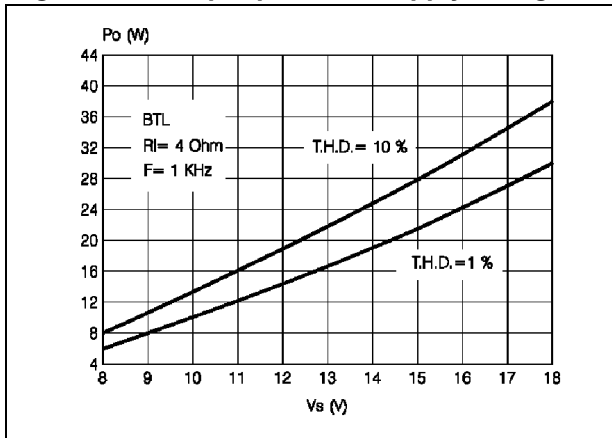


Figure 18. Distortion vs output power

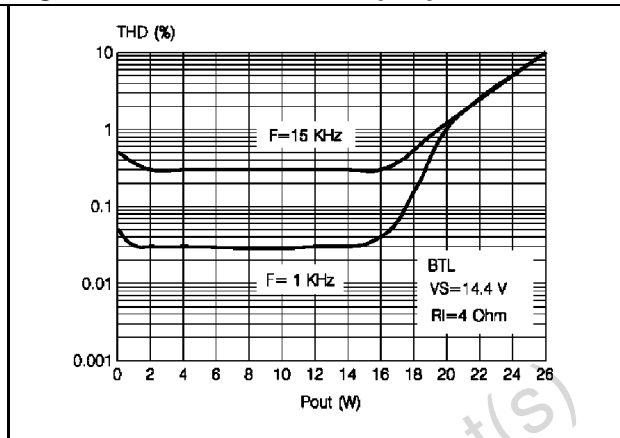


Figure 19. Output power vs supply voltage

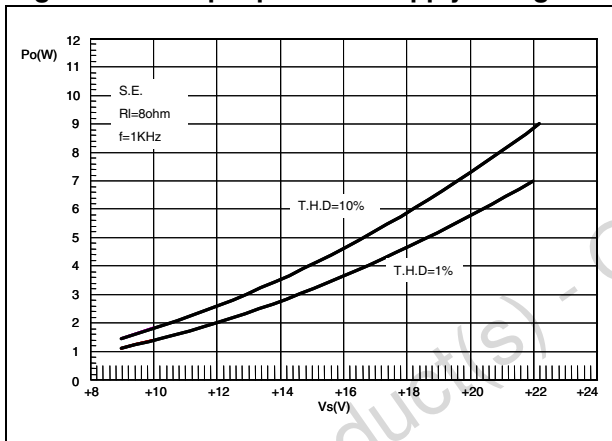


Figure 20. Crosstalk vs frequency

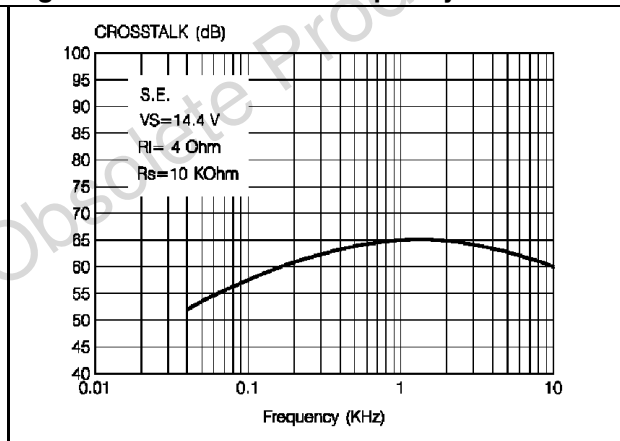


Figure 21. Output power vs voltage

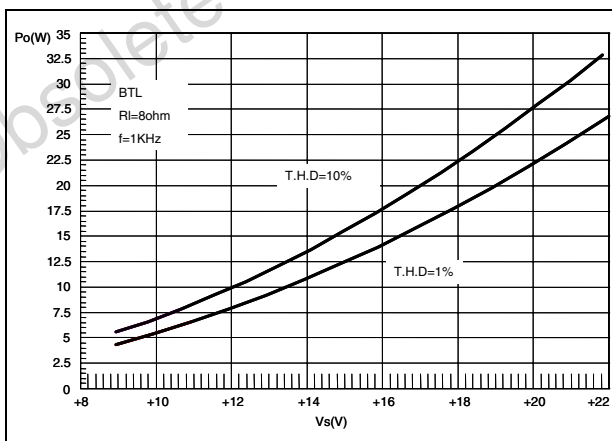


Figure 22. Standby attenuation vs threshold voltage

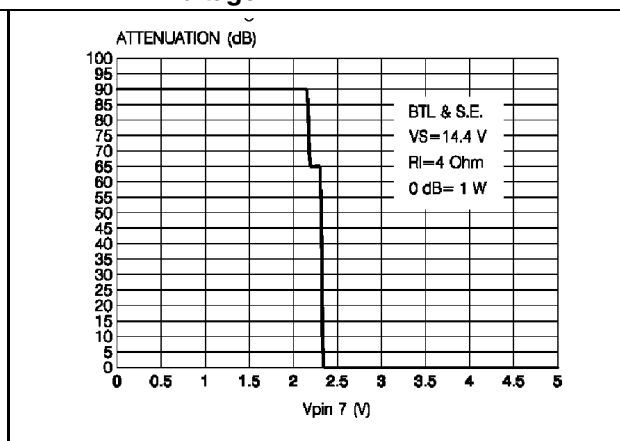


Figure 23. Supply voltage rejection vs frequency

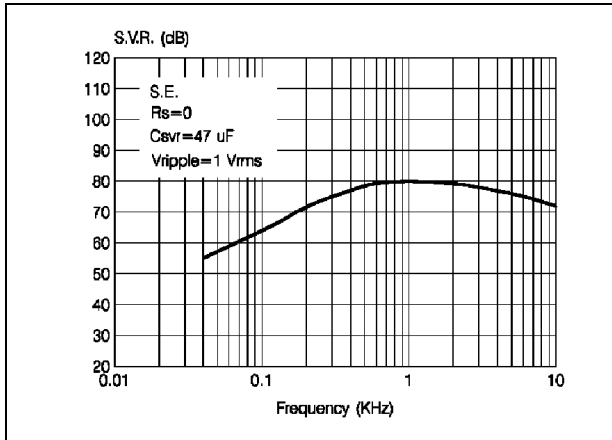


Figure 24. Total power dissipation and efficiency vs output power

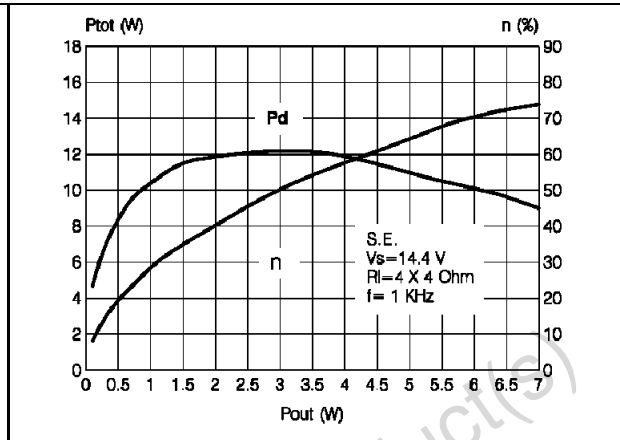
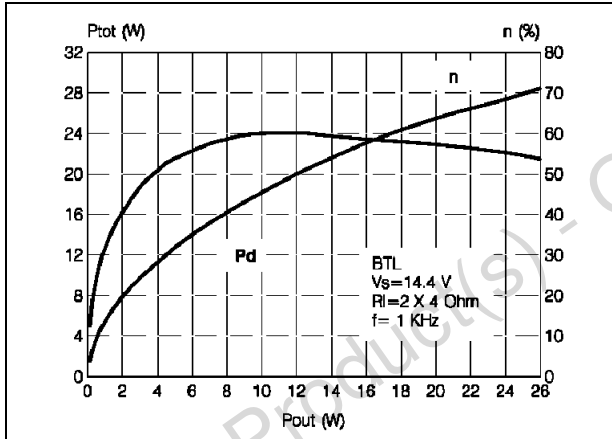


Figure 25. Total power dissipation and efficiency vs output power



7 Thermal information

In order to avoid the thermal protection intervention that is placed at $T_j=150\text{ °C}$ (thermal muting) or $T_j=160\text{ °C}$ (thermal shutdown), it is important to design the heatsink R_{th} ($^{\circ}\text{C/W}$) value correctly.

The parameters that influence the design are:

- Maximum dissipated power for the device (P_{dmax})
- Maximum thermal resistance junction to case (R_{th_j-case})
- Maximum ambient temperature T_{amb_max}

There is also an additional term that depends on the quiescent current, I_q , but this is negligible in this case.

Example 1: 4-channel single-ended amplifier

$V_{CC}=14.4\text{ V}$, $R_L = 4\ \Omega \times 4\text{ channels}$, $R_{th_j-case} = 2.5\text{ }^{\circ}\text{C/W}$, $T_{amb_max} = 50\text{ }^{\circ}\text{C}$, $P_{out} = 4 \times 7\text{ W}$

$$P_{dmax} = N_{Channel} \cdot \frac{V_{CC}^2}{2\Pi^2 R_L} = 4 \cdot 2.62 = 10.5\text{ W}$$

The required thermal resistance for the heatsink is

$$R_{th_c-amb} = \frac{150 - T_{amb_max}}{P_{dmax}} - R_{th_j-case} = \frac{150 - 50}{10.5} - 2.5 = 7\text{ }^{\circ}\text{C/W}$$

Example 2: 2-channel single-ended plus 1-channel (BTL) amplifier

$V_{CC} = 14.4\text{ V}$, $R_L = 2 \times 2\ \Omega$ (SE) + $1 \times 4\ \Omega$ (BTL), $P_{out} = 2 \times 12\text{ W} + 1 \times 26\text{ W}$

$$P_{dmax} = 2 \cdot \frac{V_{CC}^2}{2\Pi^2 R_L} + \frac{2V_{CC}^2}{\Pi^2 R_L} = 2 \cdot 5.25 + 10.5 = 21\text{ W}$$

The required thermal resistance for the heatsink is

$$R_{th_c-amb} = \frac{150 - T_{amb_max}}{P_{dmax}} - R_{th_j-case} = \frac{150 - 50}{21} - 2.5 = 2.2\text{ }^{\circ}\text{C/W}$$

Design notes on examples 1 and 2

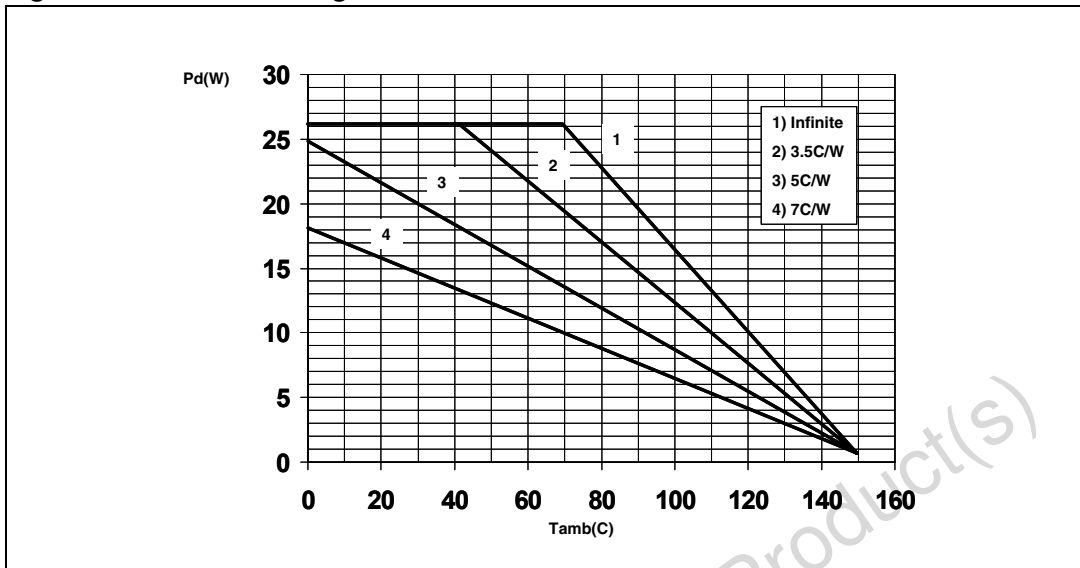
The values found give a heatsink that is designed to sustain the maximum dissipated power. But, as explained in the applications note AN1965, the heatsink can be smaller when a realistic application is considered where a musical program is used.

When the average listening power concept is considered, the dissipated power is about 40% less than the P_{dmax} . Therefore, in examples 1 and 2, the resulting average dissipated power is reduced as follows:

- Example 1: $10.5\text{ W} - 40\% = 6.3\text{ W}$ giving $R_{th_c-amb} = 13.4\text{ }^{\circ}\text{C/W}$
- Example 2: $21\text{ W} - 40\% = 12.6\text{ W}$ giving $R_{th_c-amb} = 5.4\text{ }^{\circ}\text{C/W}$

Figure 26 below shows the power derating curve for the device.

Figure 26. Power derating curve



Obsolete Product(s) - Obsolete Product(s)

8 General structure

8.1 High application flexibility

The availability of four independent channels makes it possible to accomplish several kinds of applications ranging from four-speaker stereo (F/R) to two-speaker bridge solutions.

When working with single-ended conditions, the polarity of the speakers driven by the inverting amplifier must be reversed with respect to those driven by non-inverting channels. This is to avoid phase irregularities causing sound alterations especially during the reproduction of low frequencies.

8.2 Easy single-ended to bridge transition

The change from single-ended to bridge configurations is made simple by means of a short circuit across the inputs (resulting in no need of additional external components).

8.3 Internally fixed gain

The gain is internally fixed to 20 dB in single-ended mode and 26 dB in bridge mode.

The advantages of this design choice are in terms of:

- components and space saving
- output noise, supply voltage rejection and distortion optimization.

8.4 Silent turn on/off and muting/standby functions

Standby mode can be easily activated by means of a CMOS logic level applied to pin 7 through a RC filter.

Under standby conditions, the device is turned off completely (supply current = 1 mA typical, output attenuation = 80 dB minimum).

All on/off operations are virtually pop-free. Furthermore, at turn-on the device stays in mute condition for a time determined by the value assigned to the SVR capacitor. In mute mode, the device outputs are insensitive to any kind of signal that may be present at the input terminals. In other words, any transients coming from previous stages produce no unpleasant acoustic effects at the speakers.

8.5 Standby driving (pin 7)

Some precautions need to be taken when defining standby driving networks. Pin 7 cannot be directly driven by a voltage source having a current capability higher than 5 mA. In practical cases a series resistance must be inserted, giving it the double purpose of limiting the current at pin 7 and smoothing down the standby on/off transitions. And, when done in combination with a capacitor, prevents output pop.

A capacitor of at least 100 nF from pin 7 to S_GND, with no resistance in between, is necessary to ensure correct turn-on.

8.6 Output stage

The fully complementary output stage is possible with the power ICV PNP component.

This novel design is based on the connection shown in [Figure 27](#) and allows the full exploitation of its capabilities. The clear advantages this new approach has over classical output stages are described in the following sections.

8.6.1 Rail-to-rail output voltage swing with no need of bootstrap capacitors

The output swing is limited only by the V_{CEsat} of the output transistors, which are in the range of 0.3Ω (R_{sat}) each.

Classical solutions adopting composite PNP-NPN for the upper output stage have higher saturation loss on the top side of the waveform.

This unbalanced saturation causes a significant power reduction. The only way to recover power includes the addition of expensive bootstrap capacitors.

8.6.2 Absolute stability without any external compensation

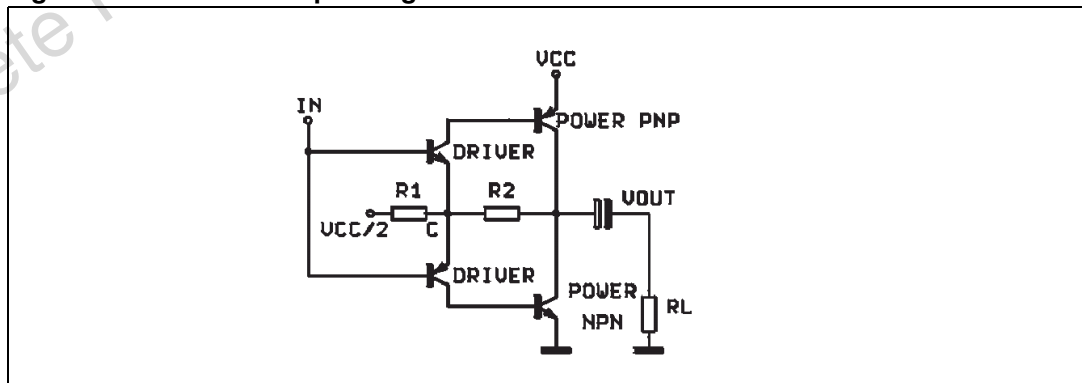
With reference to the circuit shown in [Figure 27](#), the gain V_{out}/V_{in} is greater than unity, that is, approximately $1+R2/R1$. The DC output ($V_{CC}/2$) is fixed by an auxiliary amplifier common to all the channels.

By controlling the amount of this local feedback, it is possible to force the loop gain ($A*\beta$) to less than unity at a frequency where the phase shift is 180° . This means that the output buffer is intrinsically stable and not prone to oscillation.

The above feature has been achieved even though there is very low closed-loop gain of the amplifier.

This is in contrast with the classical PNP-NPN stage where the solution adopted for reducing the gain at high frequencies makes use of external RC networks, namely the Boucherot cells.

Figure 27. The new output stage



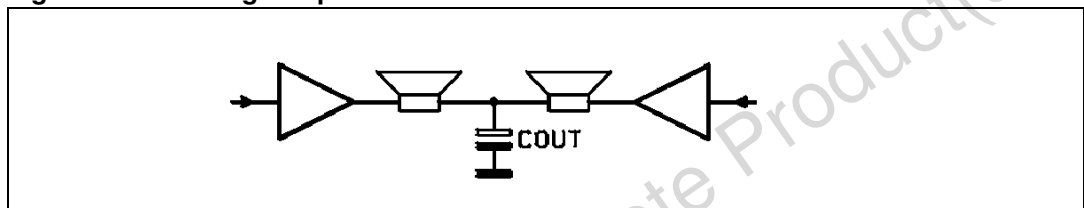
8.7 Short-circuit protection

Reliable and safe operation in the presence of all kinds of short circuits involving the outputs is assured by built-in protection. Additionally, a soft short-condition is signalled out (to the AC/DC short circuit to GND, to VS, and across the speaker) during the turn-on phase to ensure correct operation of the device and the speakers.

This particular kind of protection acts in such a way as to prevent the device being turned on (by ST_BY) when a resistive path (less than 16 Ω) is present between the output and GND. It is important to have the external current source driving the ST_BY pin limited to 5 mA. This is because the associated circuitry is normally disabled with currents >5 mA.

This extra function becomes particularly attractive when, in the single-ended configuration, one capacitor is shared between two outputs as shown in [Figure 28](#).

Figure 28. Sharing a capacitor



If the output capacitor C_{out} is shorted for any reason, the loudspeaker is not damaged.

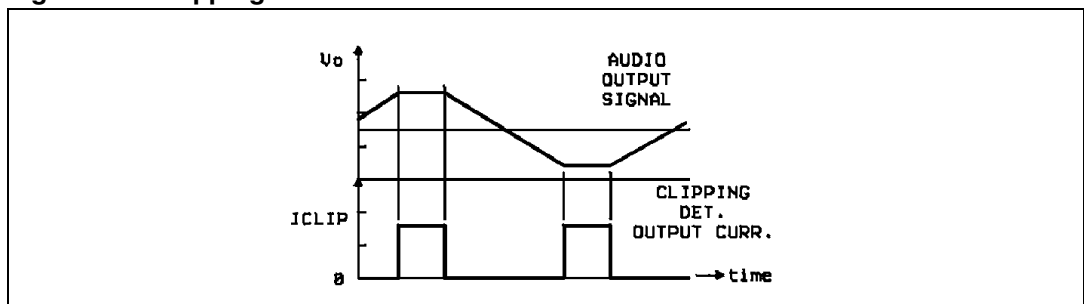
8.7.1 Diagnostic facilities (pin 10)

The STA540SAN is equipped with diagnostic circuitry that is able to detect the following events:

- Clipping in the output signal
- Thermal shutdown
- Output fault:
 - short to GND
 - short to VS
 - soft short at turn on

The information is available across an open collector output (pin 10) through a current sinking when the event is detected.

Figure 29. Clipping detection waveforms



A current sinking at pin 10 is provided when a certain distortion level is reached at each output. This function initiates a gain-compression facility whenever the amplifier is overdriven.

8.7.2 Thermal shutdown

With the thermal shutdown feature, the output (pin 10) signals the proximity of the junction temperature to the shutdown threshold. Typically, current sinking at pin 10 starts at approximately 10 °C before the shutdown threshold is reached.

Figure 30. Output fault waveforms

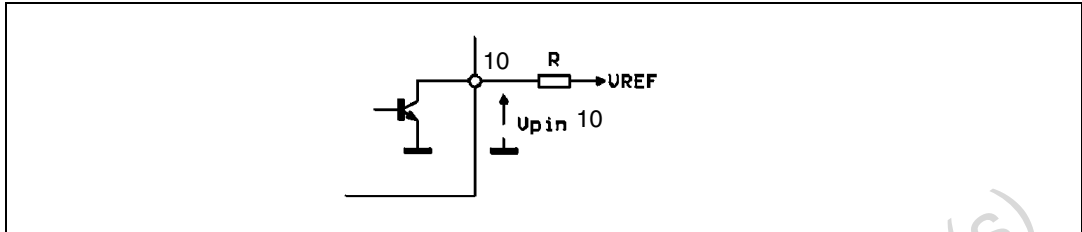
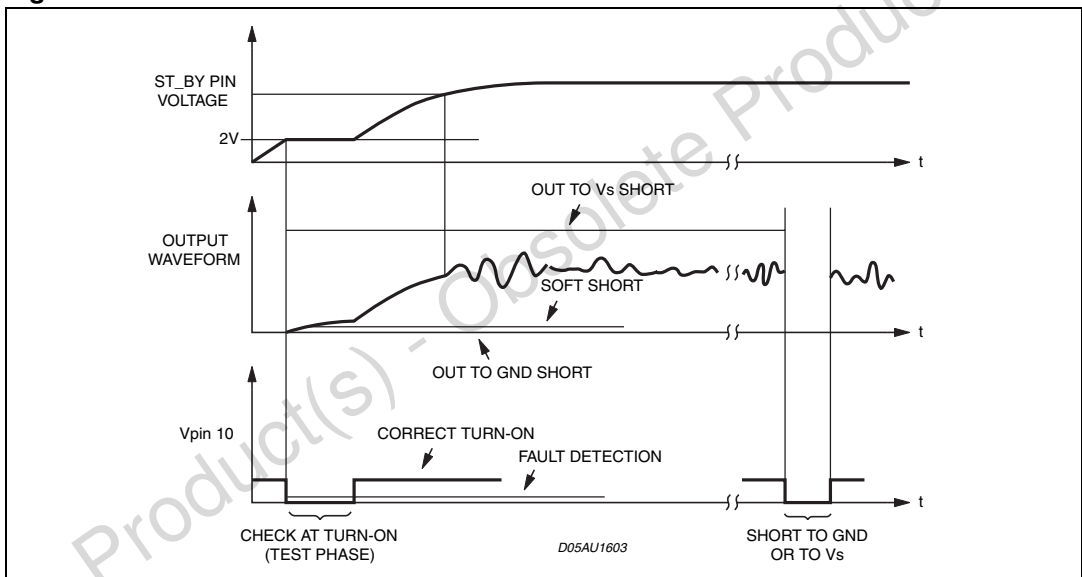


Figure 31. Fault waveforms



8.8 Handling of the diagnostic information

As different diagnostic information is available at the same pin (clipping detection, output fault, thermal proximity), the signal must be handled correctly in order to discriminate the event. This could be done by taking into account the different timing of the diagnostic output during each case.

Normally, clip-detector signalling under faulty conditions produces a low level at pin 10. Based on this assumption, an interface circuitry to differentiate the information is shown in [Figure 33](#).

Figure 32. Waveforms

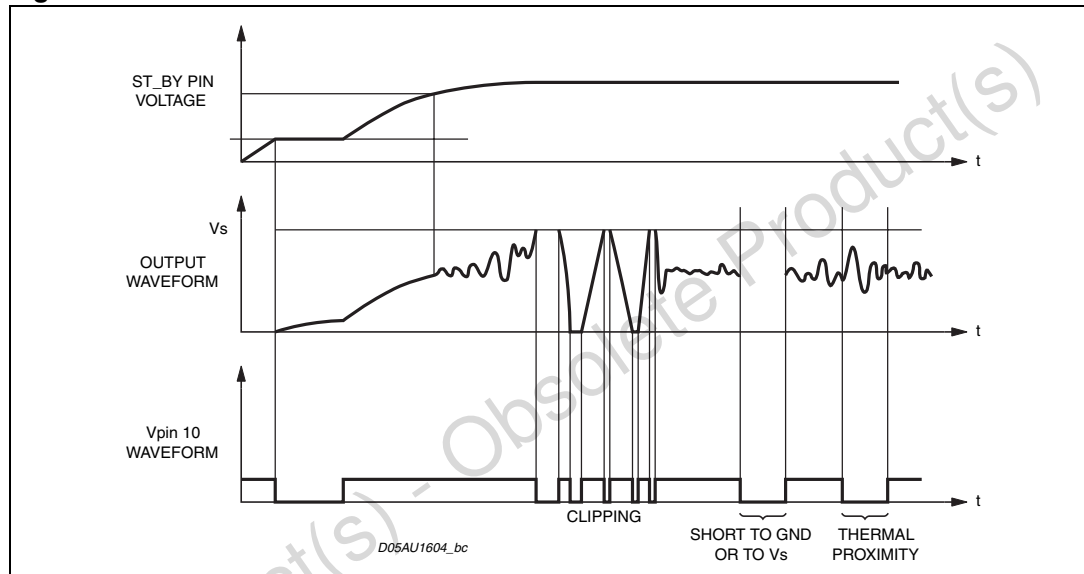
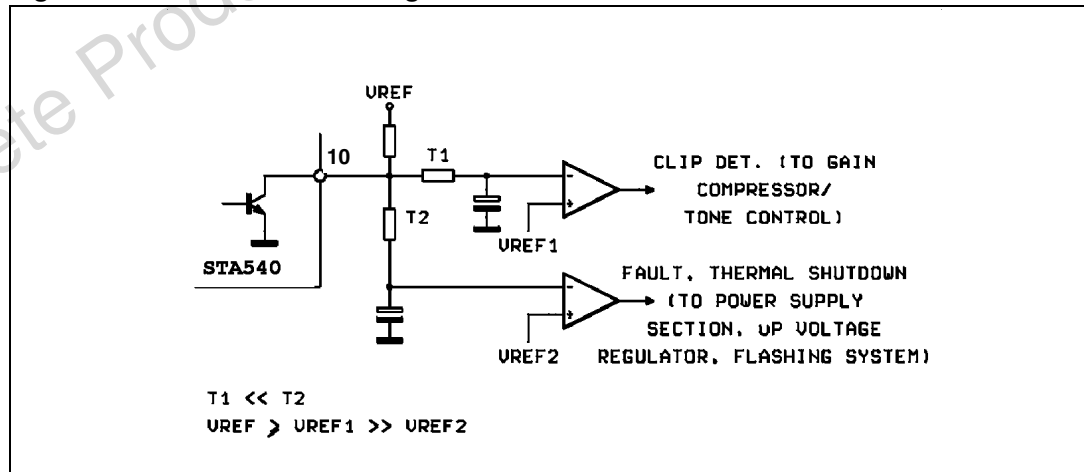


Figure 33. Interface circuit diagram



8.9 PCB-layout grounding (general rules)

The device has two distinct ground leads, P_GND (power ground) and S_GND (signal ground) which are practically disconnected from each other at chip level. Correct operation requires that P_GND and S_GND leads be connected together on the PCB layout by means of reasonably low-resistance tracks.

For the PCB ground configuration a star-like arrangement, where the center is represented by the supply-filtering electrolytic capacitor ground, is recommended. In such context, at least two separate paths must be provided; one for power ground and one for signal ground.

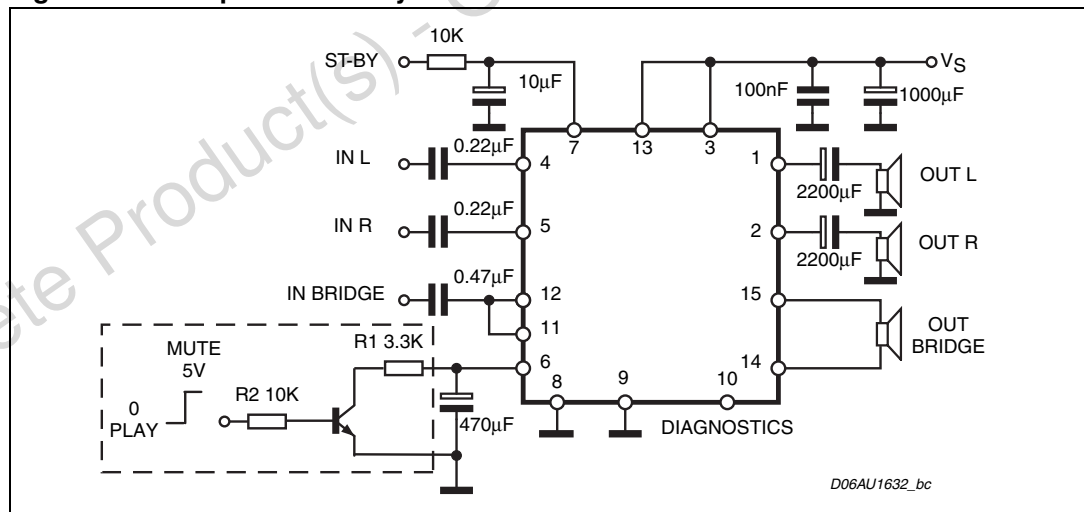
The correct ground assignments are as follows:

- standby capacitor (pin 7, or any other standby driving networks): on signal ground
- SVR capacitor (pin 6): on signal ground and to be placed as close as possible to the device
- input signal ground (from active/passive signal processor stages): on signal ground
- supply filtering capacitors (pins 3 and 13): on power ground. The negative terminal of the electrolytic capacitor must be directly tied to the battery negative line and this should represent the starting point for all the ground paths.

8.10 Mute function

If the mute function is required, it can be accessed on SVR (pin 6) as shown in [Figure 34](#).

Figure 34. Components for layout



$V_S = 10$ to 16 V, V_{SVR} : mute off ≥ 0.6 to 0.8 , mute on ≥ 0.2 V

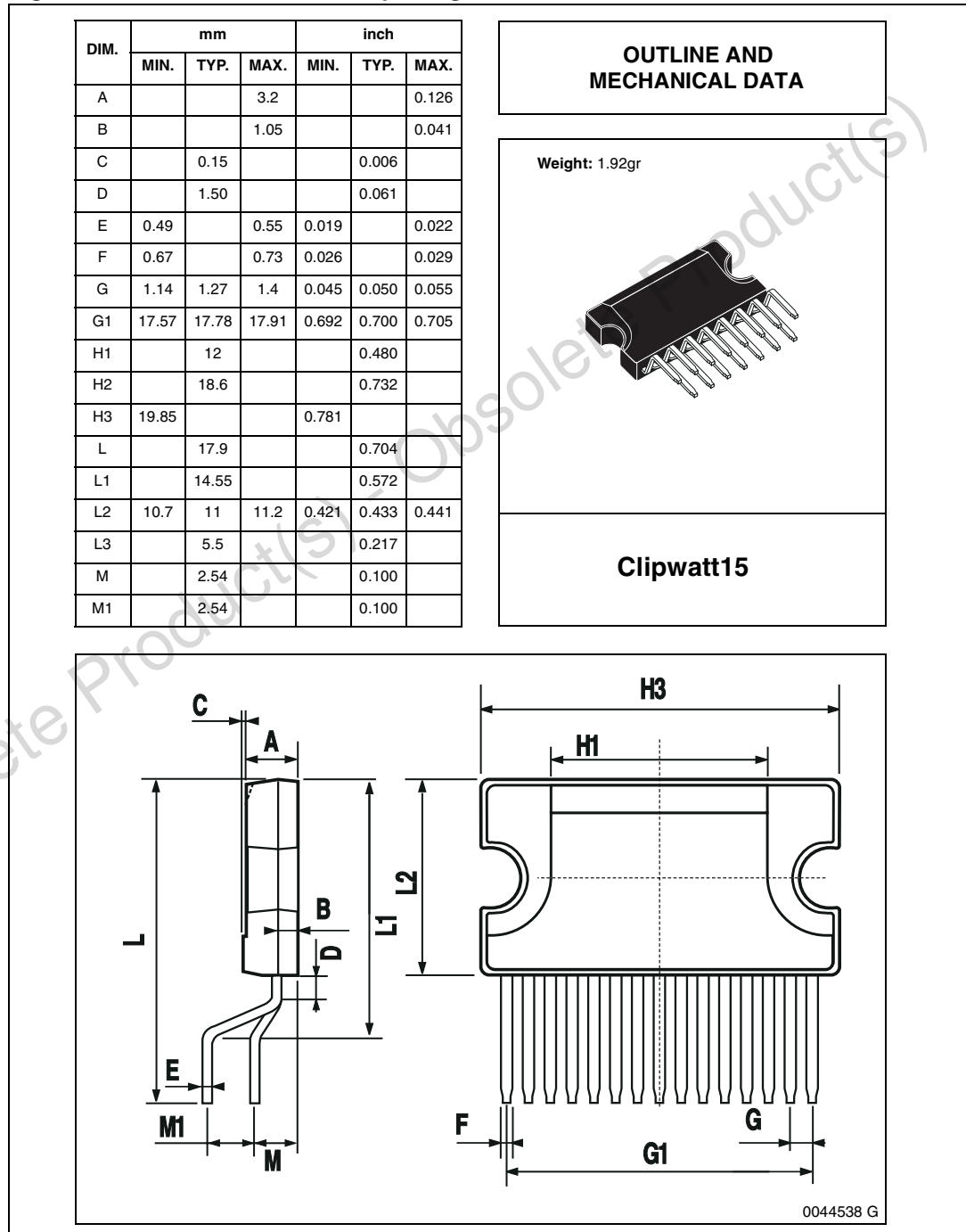
Using a different value for R1 than the suggested 3.3 k Ω , results in two different situations:

- $R1 > 3.3$ k Ω :
 - Pop noise improved
 - Lower mute attenuation
- $R1 < 3.3$ k Ω :
 - Pop noise degradation
 - Higher mute attenuation

9 Package mechanical data

In order to meet environmental requirements, ST offers these devices in different grades of ECOPACK® packages, depending on their level of environmental compliance. ECOPACK® specifications, grade definitions and product status are available at: www.st.com. ECOPACK® is an ST trademark.

Figure 35. Mechanical data and package dimensions



10 Revision history

Table 7. Document revision history

Date	Revision	Changes
16-Dec-2010	1	Initial release

Obsolete Product(s) - Obsolete Product(s)

Please Read Carefully:

Information in this document is provided solely in connection with ST products. STMicroelectronics NV and its subsidiaries ("ST") reserve the right to make changes, corrections, modifications or improvements, to this document, and the products and services described herein at any time, without notice.

All ST products are sold pursuant to ST's terms and conditions of sale.

Purchasers are solely responsible for the choice, selection and use of the ST products and services described herein, and ST assumes no liability whatsoever relating to the choice, selection or use of the ST products and services described herein.

No license, express or implied, by estoppel or otherwise, to any intellectual property rights is granted under this document. If any part of this document refers to any third party products or services it shall not be deemed a license grant by ST for the use of such third party products or services, or any intellectual property contained therein or considered as a warranty covering the use in any manner whatsoever of such third party products or services or any intellectual property contained therein.

UNLESS OTHERWISE SET FORTH IN ST'S TERMS AND CONDITIONS OF SALE ST DISCLAIMS ANY EXPRESS OR IMPLIED WARRANTY WITH RESPECT TO THE USE AND/OR SALE OF ST PRODUCTS INCLUDING WITHOUT LIMITATION IMPLIED WARRANTIES OF MERCHANTABILITY, FITNESS FOR A PARTICULAR PURPOSE (AND THEIR EQUIVALENTS UNDER THE LAWS OF ANY JURISDICTION), OR INFRINGEMENT OF ANY PATENT, COPYRIGHT OR OTHER INTELLECTUAL PROPERTY RIGHT.

UNLESS EXPRESSLY APPROVED IN WRITING BY AN AUTHORIZED ST REPRESENTATIVE, ST PRODUCTS ARE NOT RECOMMENDED, AUTHORIZED OR WARRANTED FOR USE IN MILITARY, AIR CRAFT, SPACE, LIFE SAVING, OR LIFE SUSTAINING APPLICATIONS, NOR IN PRODUCTS OR SYSTEMS WHERE FAILURE OR MALFUNCTION MAY RESULT IN PERSONAL INJURY, DEATH, OR SEVERE PROPERTY OR ENVIRONMENTAL DAMAGE. ST PRODUCTS WHICH ARE NOT SPECIFIED AS "AUTOMOTIVE GRADE" MAY ONLY BE USED IN AUTOMOTIVE APPLICATIONS AT USER'S OWN RISK.

Resale of ST products with provisions different from the statements and/or technical features set forth in this document shall immediately void any warranty granted by ST for the ST product or service described herein and shall not create or extend in any manner whatsoever, any liability of ST.

ST and the ST logo are trademarks or registered trademarks of ST in various countries.

Information in this document supersedes and replaces all information previously supplied.

The ST logo is a registered trademark of STMicroelectronics. All other names are the property of their respective owners.

© 2010 STMicroelectronics - All rights reserved

STMicroelectronics group of companies

Australia - Belgium - Brazil - Canada - China - Czech Republic - Finland - France - Germany - Hong Kong - India - Israel - Italy - Japan - Malaysia - Malta - Morocco - Philippines - Singapore - Spain - Sweden - Switzerland - United Kingdom - United States of America

www.st.com