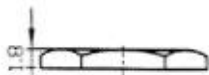
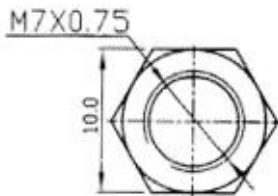
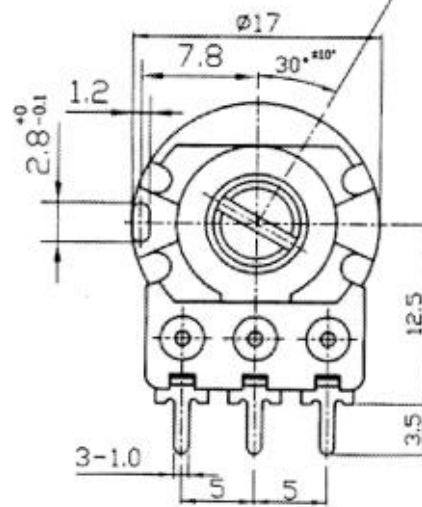


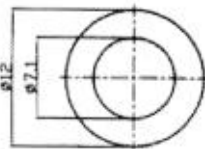
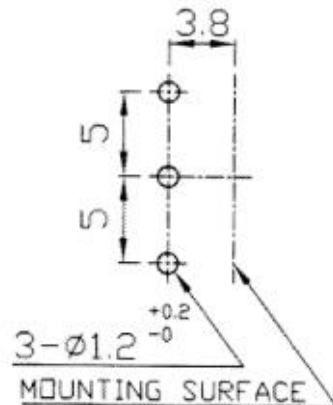
SHAFT SHAFT IN FULL C.C.W. POSITION



NUT 1 PC

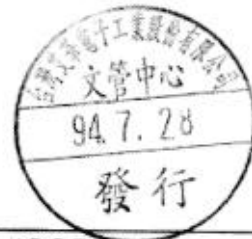


MOUNTING HOLE DETAIL (VIEWPOINT OF SHAFT)



WASHER 1 PC t=0.6

	L	T
	15	6.5
	17	8.5
	20	11.5
	25	14



									-(3CP8)
									-(30H4) -(3XW3)
									-(30M6) -(3X4)
2005.07.22	圖面重繪	王茂松							RV16A-20-(L)K-XXX-(3X)
NO.	DATE	DESCRIPTION			MODEL NAME				
TOL. UNLESS OTHERWISE STATED		DIMENSION	SCALE	DRAWN BY	CHECKED BY	APPROVED BY	DRAWING NO.		
less than 10		±0.3	2 1	張 94.7.22 月琴	王 94.7.22 茂松	吳 94.7.22 碧鋒	T:\DVG\RVP\RV16A\20-K-3		
above 10 ~ 30		±0.5							
above 30 ~ 100		±1.0							
above		±5'							