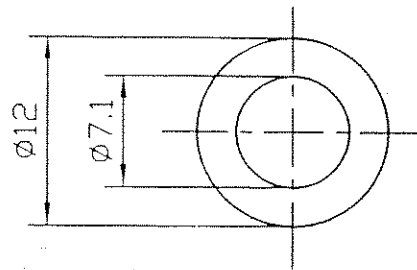
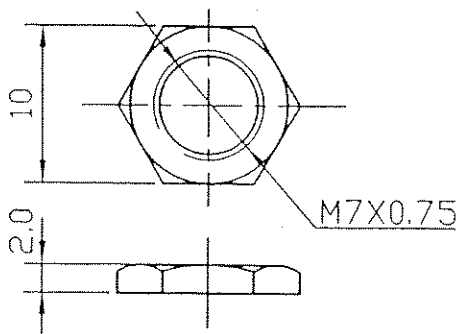


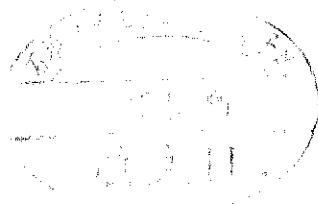
NUT 1 PC

WASHER 1 PC t=0.4



NOTE:

BUSHING MATERIAL IS ZINC ALLOY DIECASTING.



RV16AF-10B6-(L)K-XXX-(0C)

NO.	DATE	DESCRIPTION	MODEL NAME			
			RV16AF-10B6-(L)K-XXX-(0C)			
TOL. UNLESS OTHERWISE STATED	DIMENSION	SCALE	DRAWN BY	CHECKED BY	APPROVED BY	DRAWING NO.
less than 10	±0.3	2				
above 10 ~ 30	±0.5					
above 30 ~ 100	±1.0	1				
above	±5'					